



The Right Choice



**Inspired by the *vision* of technology's potential,  
powered by *passion*, committed to excellence.**

ESPRIT® is a powerful CAM system for CNC programming, optimization and simulation — supporting the entire manufacturing process. With factory-certified post processors delivering machine-optimized G-code and ESPRIT's ability to solve unique challenges with automation solutions, ESPRIT is *the* smart manufacturing solution for any machining application. With world-class technical support, ESPRIT empowers you to get started quickly and keep running at top efficiency.

ESPRIT is the only CAM system you'll ever need.



## **A powerful, full-spectrum CAM system**

ESPRIT® delivers high-performance programming, optimization and simulation to support all your shop's manufacturing processes — from CAD file to machined part. ESPRIT's full-spectrum functionality includes programming for 2-5 axis milling, 2-22 axis turning, 2-5 axis wire EDM, and multitasking Swiss-turn, mill-turn and B-axis machine tools.

## **Factory-certified digital machines**

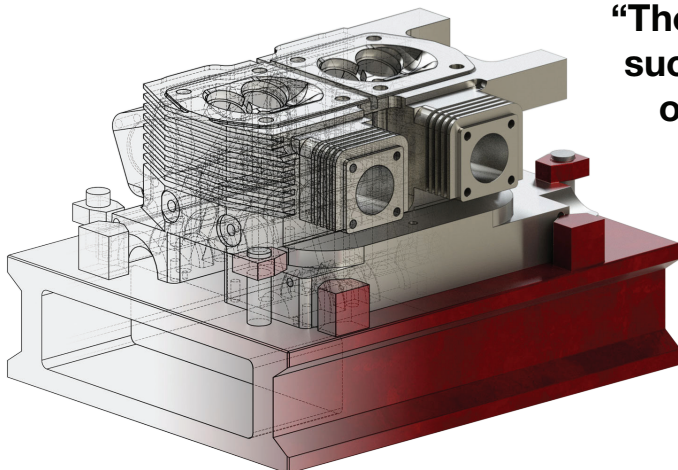
With ESPRIT's digital machine — including machine models, controller emulators, machine parameters and post processors — the system delivers accurate simulation and machine-optimized G-code. Factory-certified post processors are available for your machine tools that produce the edit-free G-code you need to take full advantage of your machine tool investment.

## **World-class technical support**

Global training, consulting and programming services help you get started quickly. Full-time, dedicated ESPRIT application engineers make sure you keep running at top efficiency. Our specialists go beyond the software to understand and support your processes, workflow and machine tools.

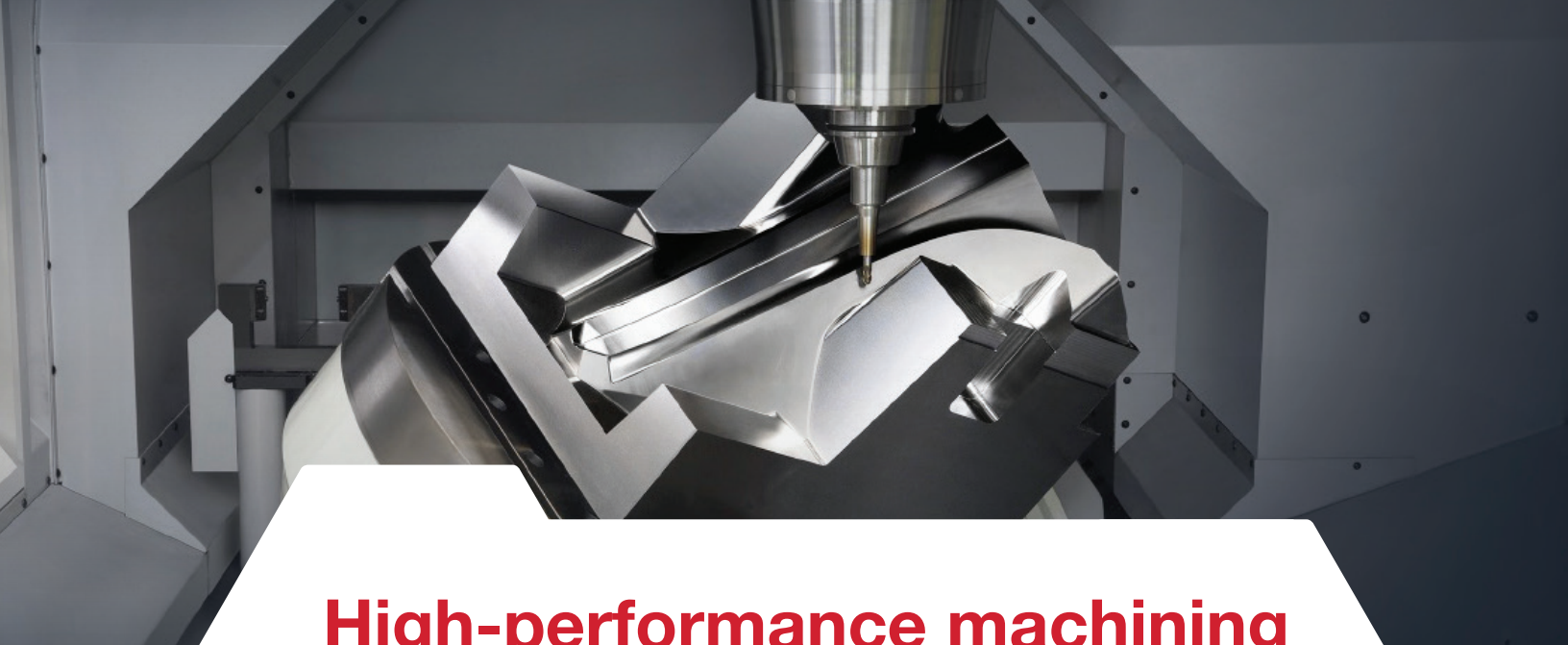
## **Automation platform and engineering services**

ESPRIT solves unique challenges with individually tailored automation solutions and apps built using the software's API. Tap into the power of ESPRIT via the API to eliminate repetitive tasks, provide higher degrees of automation and facilitate the flow of data into and out of the CAM system.



**“The only way that a company can succeed in manufacturing is by staying on the cutting edge of technology, and it’s solutions like ESPRIT that give us the opportunity to compete.”**

— Kevin Reed, CEO of Innovative Mounts

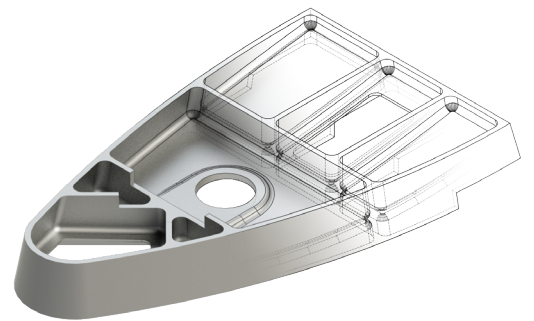


# High-performance machining

Maximizing machine utilization for high-value parts and demanding machining applications

## **ESPRIT® SolidMill® for 2-5 axis milling**

ESPRIT offers machining cycles for traditional 2.5 axes and production 3+2 cutting, as well as programming for high-speed simultaneous 3-, 4- and 5-axis free-form toolpath — giving you the programming power you need along with the ease of use you expect.



## **ESPRIT SolidTurn® for 2-22 axis turning**

SolidTurn offers a full suite of facing, roughing, turning, grooving and hole-making cycles. By combining SolidMill and SolidTurn machining cycles with workpiece handling, you can take advantage of your multi-tasking machine and easily perform simultaneous milling and turning operations on the front and back of the part in a single setup.

## **ESPRIT SwissTurn® for Swiss-type machining**

All the power of ESPRIT's SolidMill and SolidTurn machining is available for your Swiss-type machine. ESPRIT is tuned to support the unique requirements of the Swiss-type machine — sliding head-stock, co-linear axes, gang-based tooling, program segmentation, etc. — providing you with programming flexibility, accurate simulation and machine-optimized G-code.

## **ESPRIT for wire EDM**

ESPRIT dramatically simplifies the wire EDM part-programming process, significantly increases part accuracy and greatly reduces the length and complexity of the G-code. ESPRIT's process knowledge database and versatile EDM contouring cycle supports any number of straight or tapered rough and skim cuts and can machine any contour, mold, die, core, cavity, shape or profile, while optimizing wire cutting paths.

# The only CAM system you'll ever need

## High-performance machining

- ▶ 2–5 axis milling
- ▶ 2–22 axis turning
- ▶ 2–5 axis wire EDM
- ▶ High-speed simultaneous 3-, 4- and 5-axis toolpath
- ▶ Swiss-turn, mill-turn, and B-axis multi-tasking machines

## Hybrid manufacturing

- ▶ Combining additive and subtractive processes
- ▶ Direct energy deposition and direct metal deposition machines




## 3D printing/additive manufacturing

- ▶ Part-to-Build™ workflow quickly moving from CAD file to printed part
- ▶ Powder bed, binder jetting and material jetting printers

## An Industry 4.0 smart manufacturing platform

- ▶ Digital twin of your machining environment
- ▶ Digital thread for discrete manufacturing
- ▶ Machine awareness
- ▶ Artificial intelligence (AI)
- ▶ Cloud-enabled



 [espritcam.com](http://espritcam.com)  
 + 1 800 627 8479  
 [esprit@dptechnology.com](mailto:esprit@dptechnology.com)



The Right Choice